

# WT-5800 D01ER

WIRELESS TUNER

The wireless tuner WT-5800 is a PLL-synthesizer controlled double superheterodyne true diversity tuner to be used in UHF wireless systems. It employs a compander noise reduction circuit to minimize the influence of the ambient RF noise.

---



Order no: WT-5800 D01ER  
Alternative products: WT-5800 B01ER,  
WT-5800 C01ER, WT-5800 C07ER, WT-5800  
G01ER, WT-5800 H01ER, WT-5805 B01,  
WT-5805 C07ER, WT-5805 G01ER, WT-5805  
H01ER, WT-5810 B01, WT-5810 C07ER,  
WT-5810 D01ER, WT-5810 G01ER, WT-5810  
H01ER

---

# WT-5800 D01 ER

WIRELESS TUNER

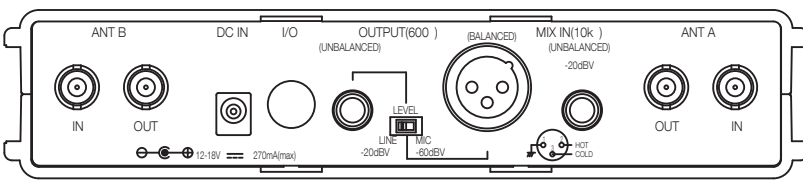
## Specifications

Power source	AC mains (supplied AC adapter must be used)
Power supply	12 V DC, 200 mA
Diversity principle	True diversity
Frequency response	100 Hz - 15 kHz
Frequency range	837 - 865 MHz
Automatic frequency scan	Yes
Receiver sensitivity	20 dB $\mu$ V (S/N > 90 dB, 40 kHz deviation)
Antenna inputs	2 x BNC (75 $\Omega$ )
Antenna outputs	2 x BNC (75 $\Omega$ )
Nominal output level	Mic/line selectable, mic: -60 dBV, line: -20 dBV
Audio output	XLR balanced, 1/4" jack unbalanced
Audio mixing input	1/4" jack unbalanced
Indicator	Audio (6 steps), RF (6 steps), ANT A/B, Audio (peak), Battery alarm
Selectable frequencies (combined)	64 (4 banks with 16 frequencies each)
Input sensitivity	Line (-20 dBV)
S/N ratio	110 dB (A)
Weight	700,0 g
Dimensions (W x H x D)	210 x 44 x 205,1 mm
Dimensions ( $\phi$ x D)	x 205,1 mm
Gross weight	1,4 kg
Finish	Resin, black
Operating humidity	30% - 85% RH (no condensation)
Operating temperature	-10°C to +50°C

# WT-5800 D01ER

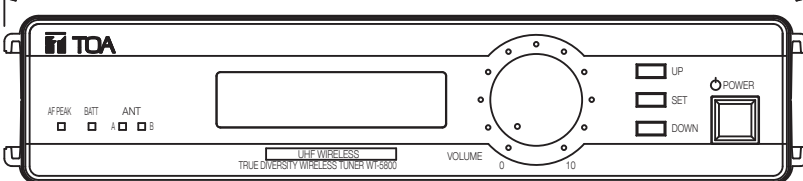
WIRELESS TUNER

Appearance



Rear View

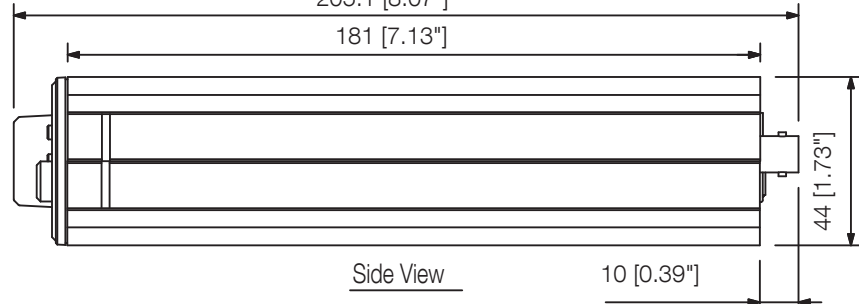
210 [8.27"]



Front View

205.1 [8.07"]

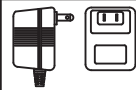
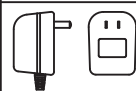
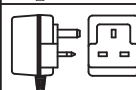
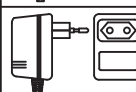
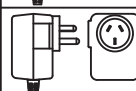
181 [7.13"]



Side View

UNIT:mm      SCALE:1/2

(\*3)

Version	AC Adapter	
US	120 V AC, 60 Hz	
CN	220 V AC, 50 Hz	
UK	220 - 230 V AC, 50 Hz	
ER	230 V AC, 50 Hz	
AS	240 V AC, 50 Hz	

Note: No AC adapter is supplied with the version B02ER.

(\*2)

Version	Receiving Frequency
A01	692 - 722 MHz, UHF
B01, B02	722 - 752 MHz, UHF
C01 - C07	794 - 830 MHz, UHF
D01 - D05	830 - 865 MHz, UHF
E01	668 - 698 MHz, UHF
F01	636 - 666 MHz, UHF
G01, G02	606 - 636 MHz, UHF
H01	576 - 606 MHz, UHF