

■ SPECIFICATIONS

Product Composition	Handheld wireless microphone ...1, Receiver ...1
Frequency Range	633 - 671MHz, UHF
Channel Selectable	4 Channels
Tunable Frequencies	25kHz Steps
Tone Frequency	32.768kHz
Total Harmonic Distortion	<1% @ 1kHz
Function	IR sync, Channel scan, Battery indicator
Accessory	AC adapter ...1
	Microphone holder ...1

Wireless microphone

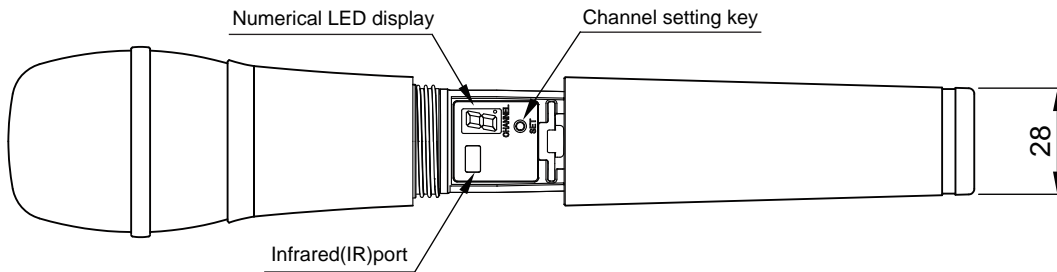
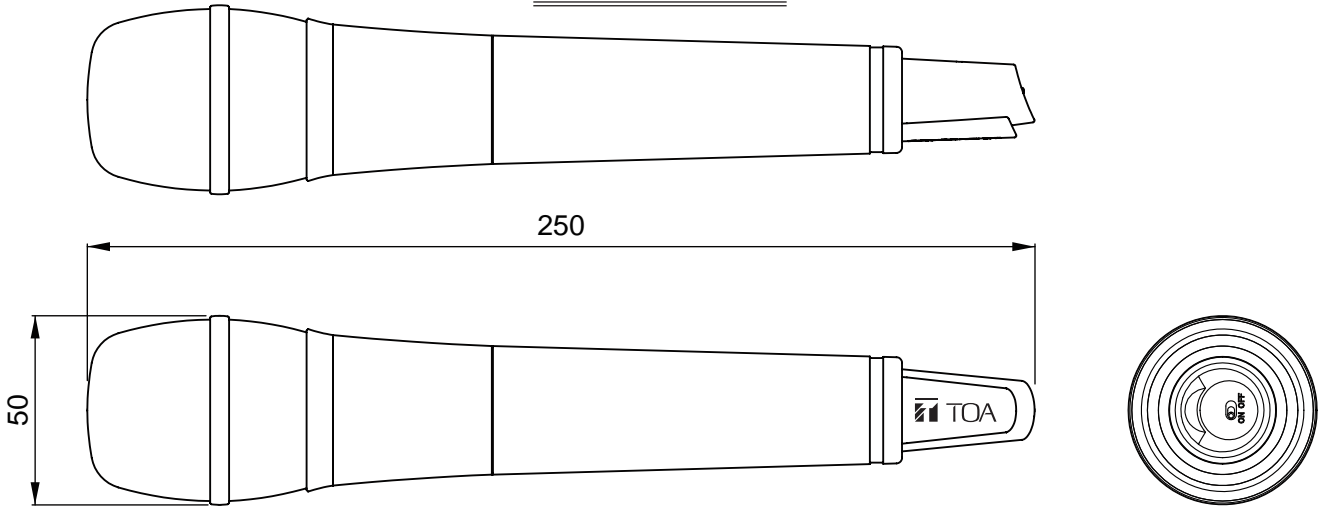
Microphone Element	Dynamic with cardioid pattern
RF Carrier Power	10mW
Audio Frequency Response	80 - 15000 Hz
Maximum Input Level	140dBSPL (maximum)
Oscillator	PLL synthesizer
Battery	1 AA size alkaline battery, 1.5 V
Battery Life	Approx. 10 hours
Indication	Battery status LED, 7 segments LED
Finish	Resin, coating
Dimensions	approx. 250 x 50 mm
Weight	approx. 245 g (with battery)

Wireless receiver

Power Source	AC mains (supplied AC-DC adapter must be used)
Sensitivity	10uV at 45dBA S/N
Squelch System	Tone SQ, Carrier SQ, Noise SQ
Audio Frequency Response	50 - 15000Hz
Audio Output Level (Maximum)	Balanced (XLR socket) : -20dBu Un-balanced (1/4" jack socket) : 10dBu
Power Consumption	11-18 VDC 300mA
Dimensions	215(W) x 39(H) x 102(D) mm (excluding antenna and BNC)
Weight	480g

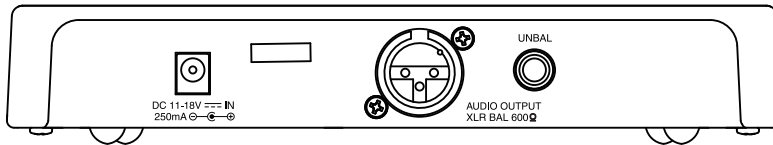
■ APPEARANCE

Wireless Microphone

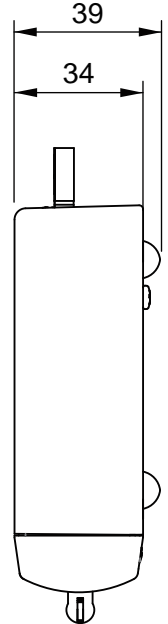
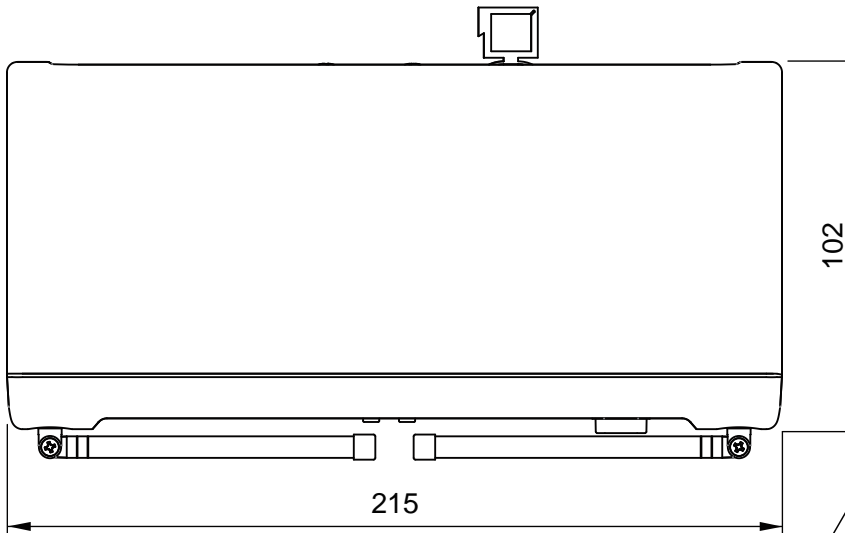


Wireless Receiver

Rear View

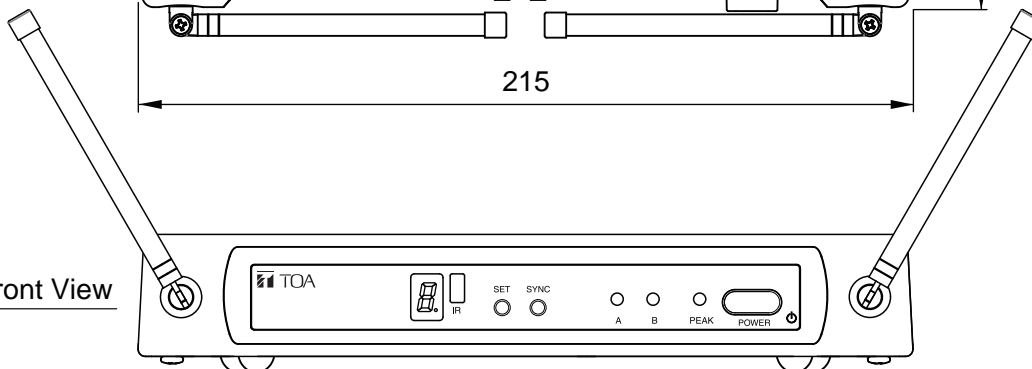


Top View



Side View

Front View



UNIT: mm

■ SPECIFICATIONS

Product Composition	Handheld wireless microphone ...1, Receiver ...1
Frequency Range	803 - 806MHz, UHF
Channel Selectable	4 Channels
Tunable Frequencies	25kHz Steps
Tone Frequency	32.768kHz
Total Harmonic Distortion	<1% @ 1kHz
Function	IR sync, Channel scan, Battery indicator
Accessory	AC adapter ...1
	Microphone holder ...1

Wireless microphone

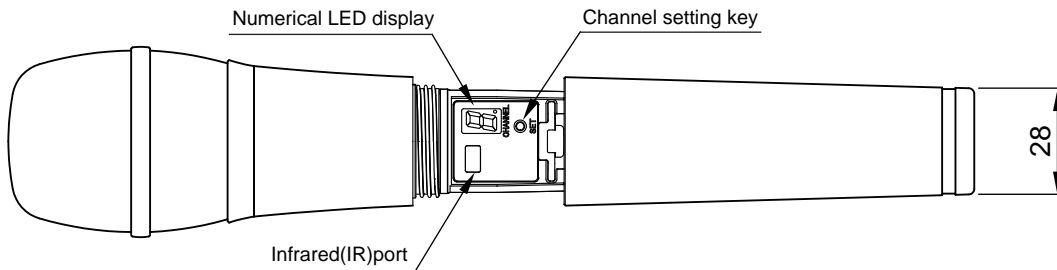
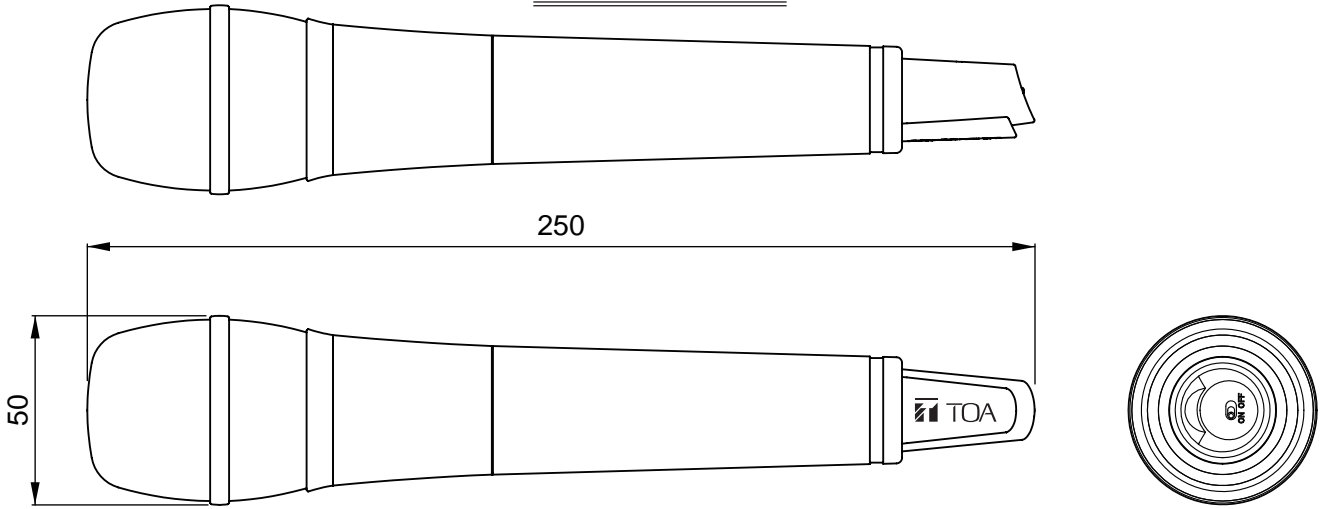
Microphone Element	Dynamic with cardioid pattern
RF Carrier Power	10mW
Audio Frequency Response	80 - 15000 Hz
Maximum Input Level	140dB SPL (maximum)
Oscillator	PLL synthesizer
Battery	1 AA size alkaline battery, 1.5 V
Battery Life	Approx. 10 hours
Indication	Battery status LED, 7 segments LED
Finish	Resin, coating
Dimensions	approx. 250 x 50 mm
Weight	approx. 245 g (with battery)

Wireless receiver

Power Source	AC mains (supplied AC-DC adapter must be used)
Sensitivity	10uV at 45dBA S/N
Squelch System	Tone SQ, Carrier SQ, Noise SQ
Audio Frequency Response	50 - 15000Hz
Audio Output Level (Maximum)	Balanced (XLR socket) : -20dBu Un-balanced (1/4" jack socket) : 10dBu
Power Consumption	11-18 VDC 300mA
Dimensions	215(W) x 39(H) x 102(D) mm (excluding antenna and BNC)
Weight	480g

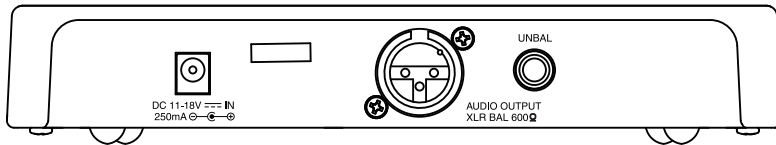
■ APPEARANCE

Wireless Microphone

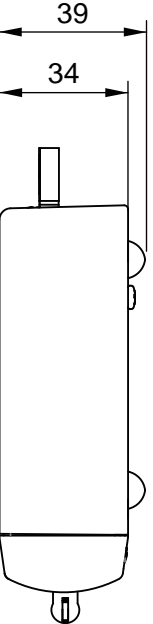
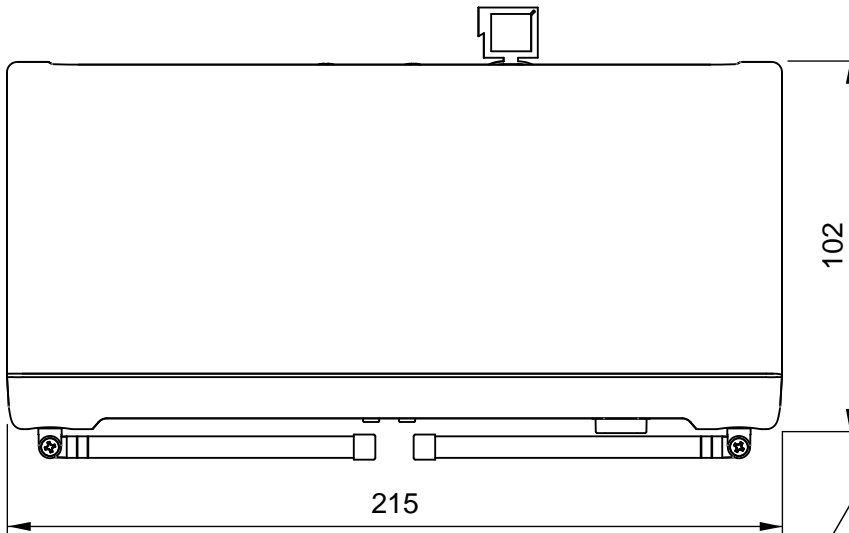


Wireless Receiver

Rear View

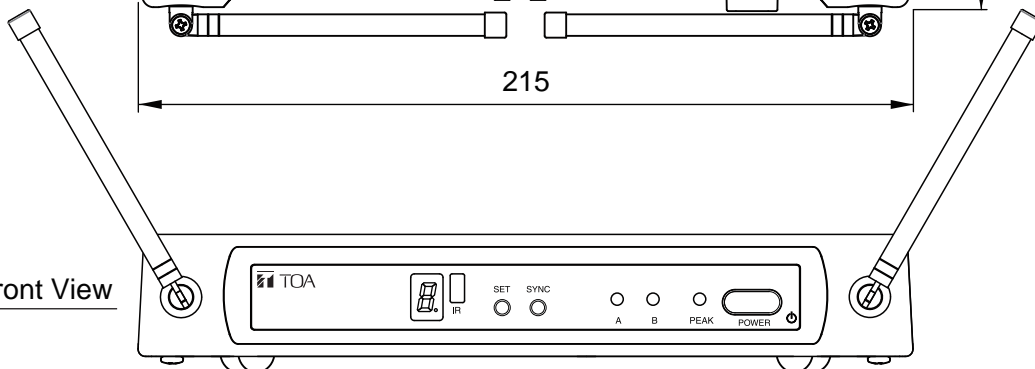


Top View



Side View

Front View



UNIT: mm