

The TU-651 is a highly intelligible driver unit suited to public address announcement applications. Use the driver unit in combination with a suitable horn (optional). Its powder-coated finish and stainless steel screws ensure the unit's weatherproof capability.

---



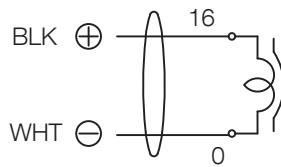
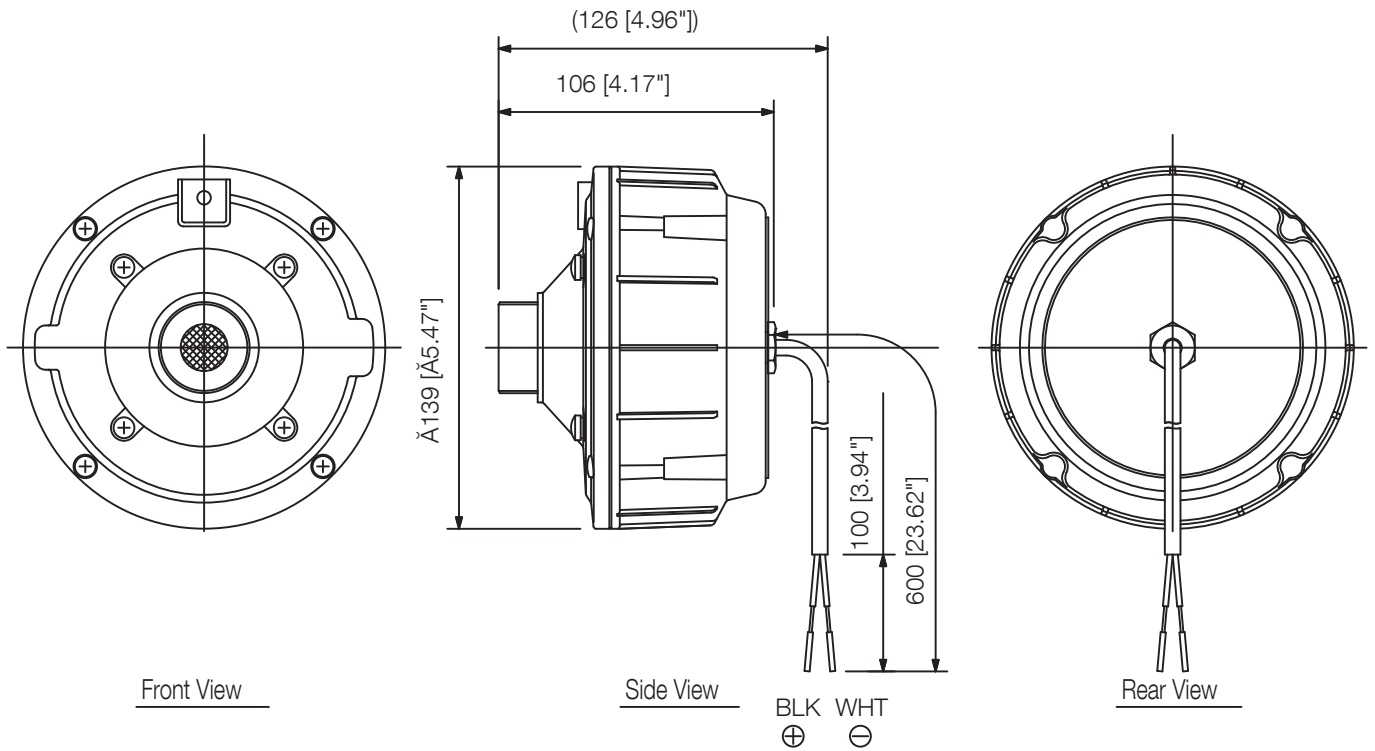
Order no: TU-651

---

## Specifications

|                                      |                              |
|--------------------------------------|------------------------------|
| Frequency response                   | 150 Hz - 6 kHz               |
| Sensitivity (1#V, 1#m)<br>(combined) | 110 dB (with TH-650, TH-660) |
| Rated input                          | 50 W                         |
| Tappings                             |                              |
| Rated impedance                      | 16 Ω                         |

Appearance



Wiring diagram

UNIT:mm SCALE:1/3