

The TU-631 is a highly intelligible driver unit suited to public address announcement applications. Use the driver unit in combination with a suitable horn (optional). Its powder-coated finish and stainless steel screws ensure the unit's weatherproof capability.

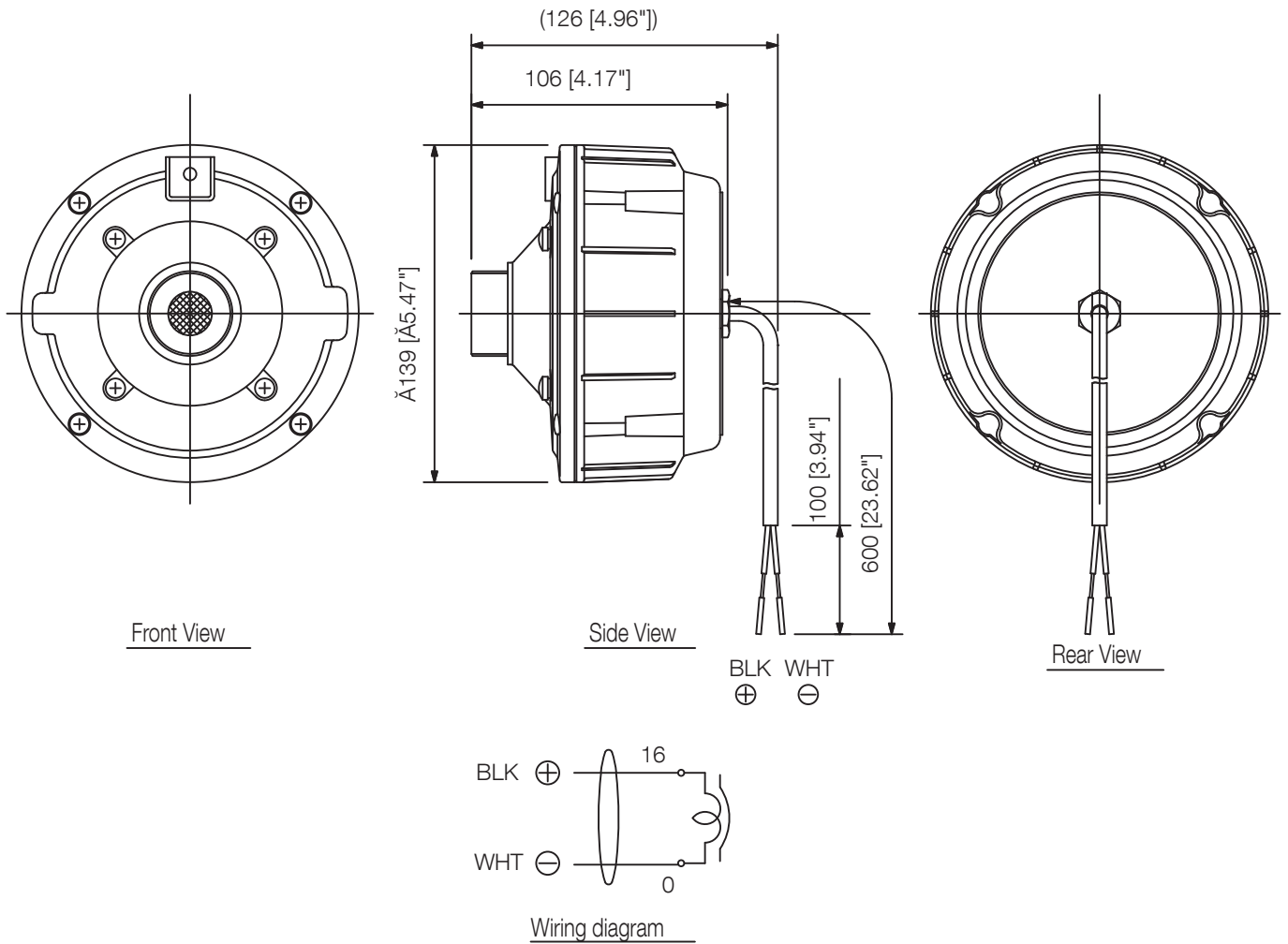


Order no: TU-631

Specifications

Frequency response	150 Hz - 6 kHz
Sensitivity (1#W, 1#m) (combined)	110 dB (with TH-650, TH-660)
Rated input	30 W
Rated impedance	16 Ω

Appearance



UNIT:mm SCALE:1/3