

WM-5325 D01

WIRELESS TRANSMITTER

The WM-5325 wireless transmitter has been manufactured for use with a UHF system. It is for use in speech reinforcement applications. Thanks to the PLL-synthesizer system, 64 different operating frequencies are made available. A high output power ensures stable radio signal transmission.



Order no: WM-5325 D01

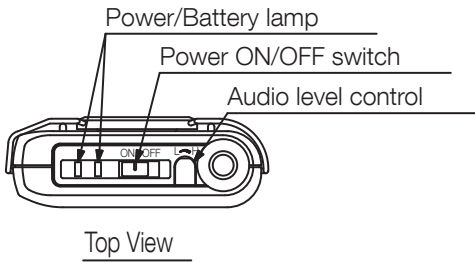
Specifications

Power source	Battery (1x AA type, Alkaline, or WB-2000-2)
Audio input	3.5 mm mini-jack (with screw-on cap)
Operating time	approx. 10 h (with AA), 13 h (with WB-2000)
Frequency range	837 – 865 MHz
Selectable frequencies	64
Simultaneous channels	7
AF response	100 Hz - 15 kHz
RF output power	10 mW
Weight	90,0 g
Dimensions (W x H x D)	62 x 102,5 x 23 mm
Dimensions (ø x D)	x 23 mm
Gross weight	0,26 kg
Finish	Resin, pre-coated, black

WM-5325 D01

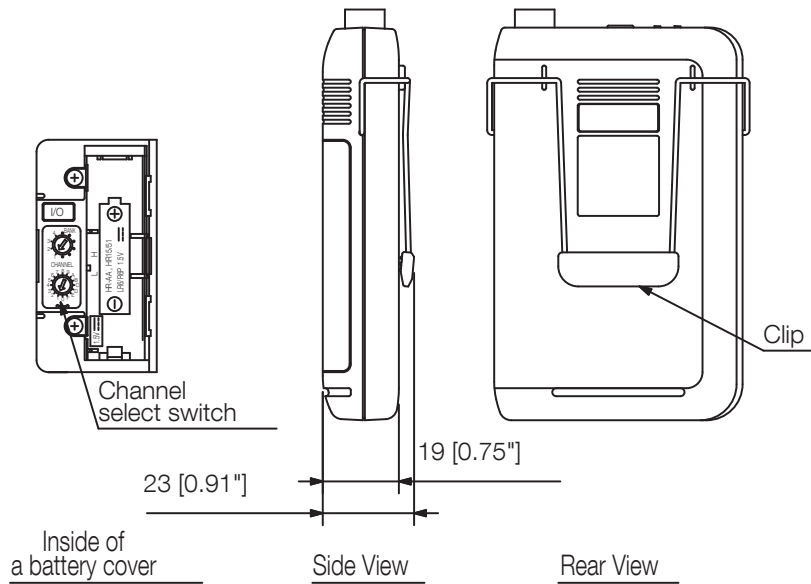
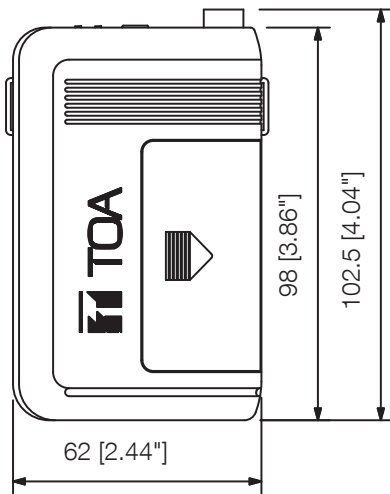
WIRELESS TRANSMITTER

Appearance



(*2)

Type	Frequency Range
A01	692 - 722 MHz, UHF
B01, B02	722 - 752 MHz, UHF
C01 - C07	794 - 830 MHz, UHF
D01 - D05	830 - 865 MHz, UHF
E01	668 - 698 MHz, UHF
F01	636 - 666 MHz, UHF
G01, G02	606 - 636 MHz, UHF
H01	576 - 606 MHz, UHF
K01	925 - 937.5 MHz, UHF



UNIT:mm SCALE:1/2