



AD-5000-6 ER

AC ADAPTER

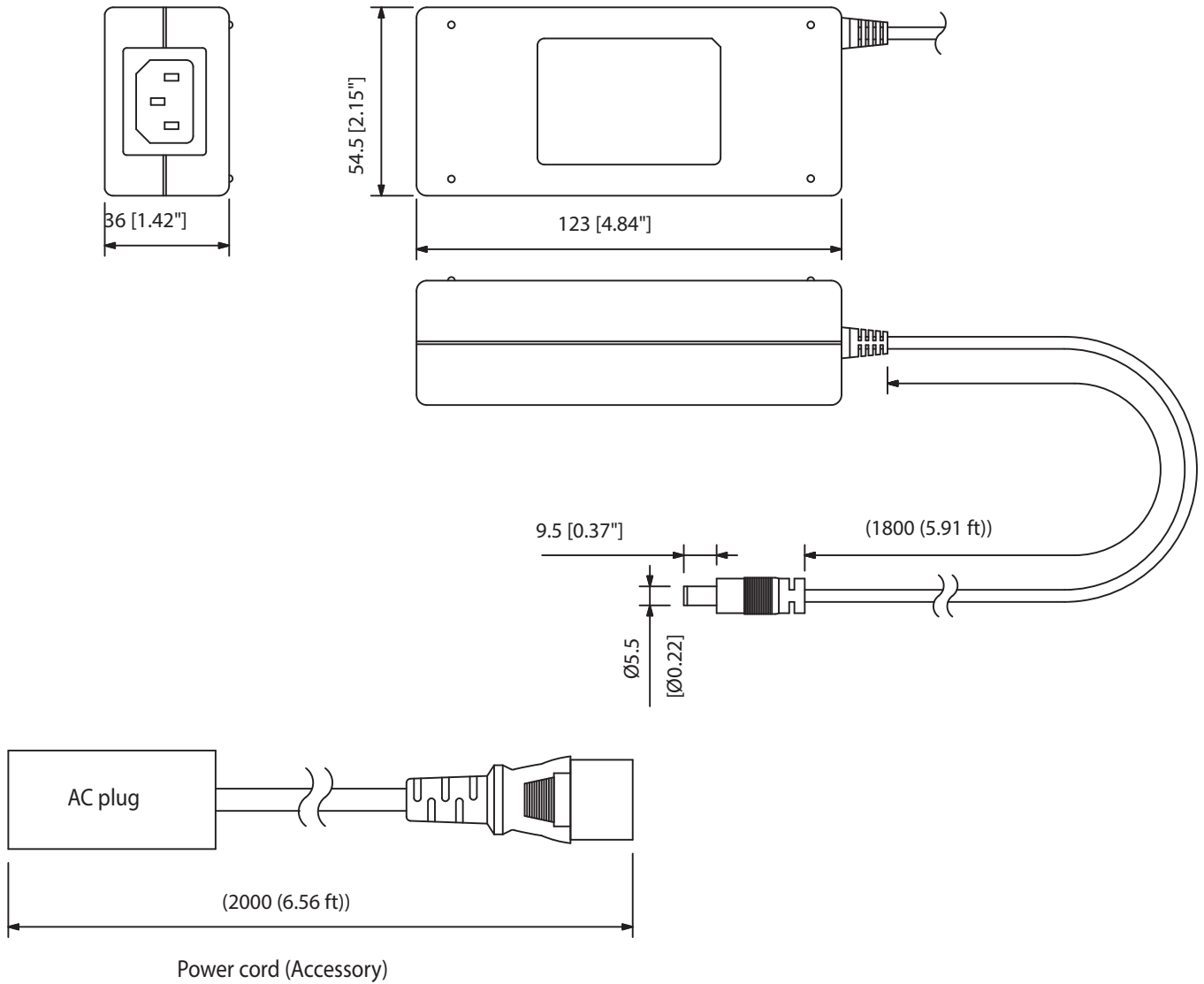




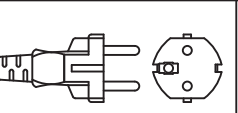
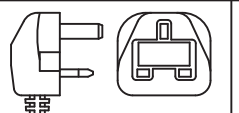
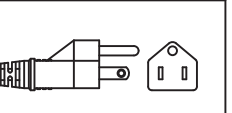
Order no: AD-5000-6 ER

Specifications

Finish	black
--------	-------

Appearance



Version	AS	CN	ER	UK	US
AC plug					

UNIT:mm SCALE:1/2

Note: Numerical values in parentheses are for reference only.