

The TC-631 is a highly intelligible, general-purpose speaker suited to public address announcement applications. Its external speaker component finished with powder coating, and stainless steel screws ensure the unit's weatherproof capability.

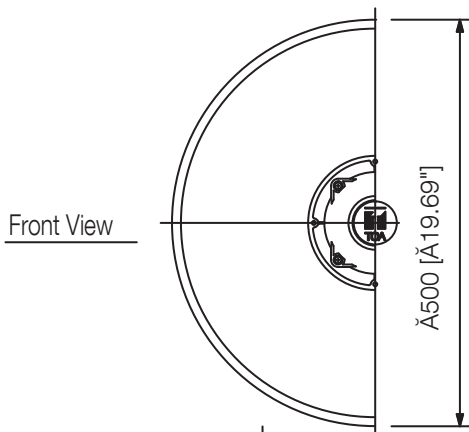
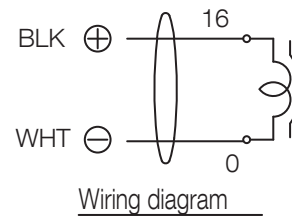
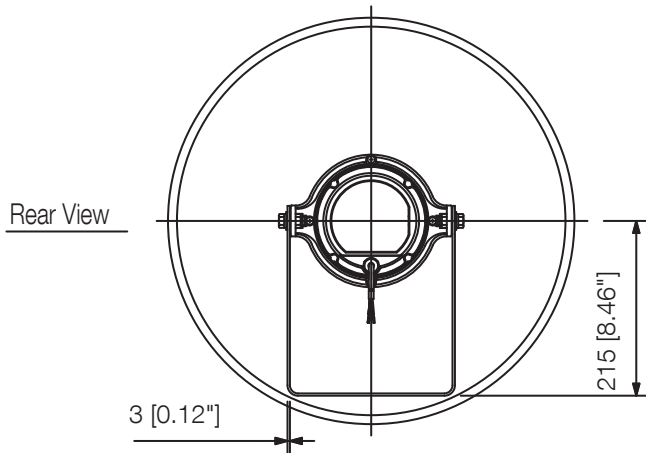


Order no: TC-631

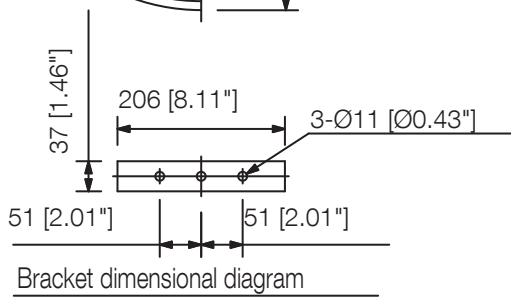
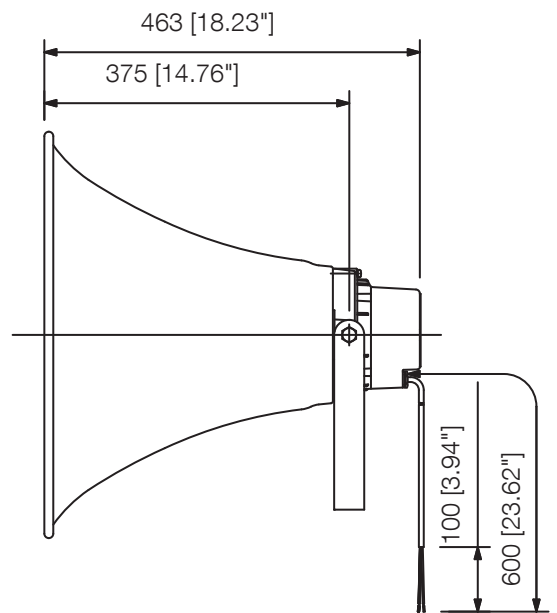
Specifications

Frequency response	200 Hz - 6 kHz
Sensitivity (1#V, 1#m) (combined)	110 dB
Rated input	30 W
Rated impedance	16 Ω
Dimensions (W x H x D)	x 463
Dimensions (ø x D)	500 x 463 mm
Finish	Aluminium, powder coating, traffic white (RAL 9016 or equivalent)
Operating temperature	-20°C to +60°C

Appearance



Side View



BLK WHT
⊕ ⊖

UNIT:mm

SCALE:1/10