

# SR-C15BWP

LINE ARRAY SPEAKER

The SR-C15B Sub-woofer system is designed to be used in conjunction with the SR-C8L or SR-C8S Line array speaker. Recommended digital speaker processor is the DP-SP3 (option).



Order no: SR-C15BWP

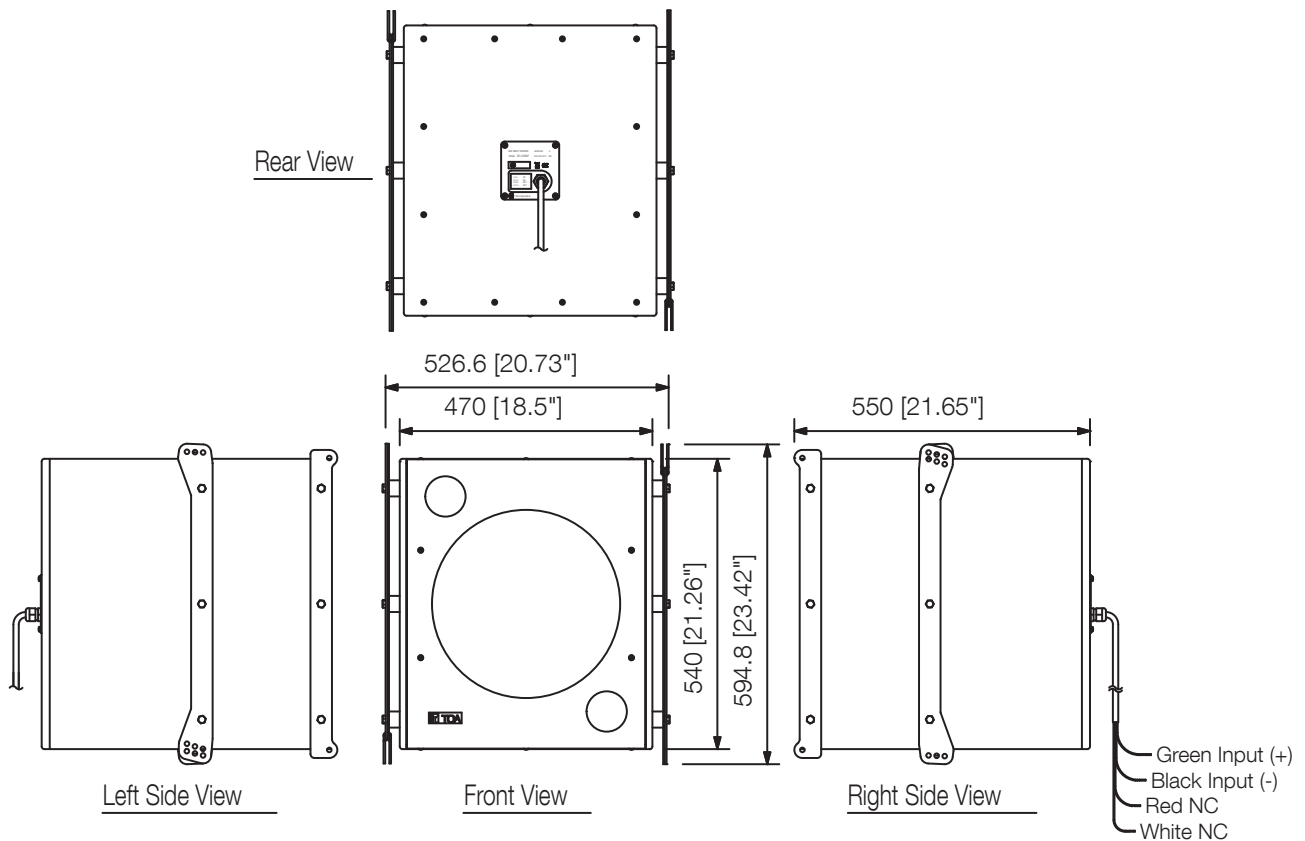
## Specifications

Frequency response	40 Hz - 400 Hz
Connection	Direct cable withdrawal from internal speaker: $\varnothing$ 8.6 mm conductor/cross section: 1.25 mm <sup>2</sup> , 4-core cable, 3 m
Sensitivity (1#V, 1#m) (combined)	93 dB
Rated impedance	8 $\Omega$
Power handling capacity	Continuous program: 450 W
Dimensions (W x H x D)	526,6 x 594,8 x 550 mm
Dimensions ( $\varnothing$ x D)	x 550 mm
Finish	Plywood, urethane coating, paint, black (RAL 9005 or equivalent)

# SR-C15BWP

LINE ARRAY SPEAKER

## Appearance



### NOTE:

1. It features the water-protection construction (IPX4), however it is recommended that it be installed under roofs, eaves, or other locations not directly exposed to rain or snow.
2. Do not install the SR-C15BWP at places where it is likely to be corroded such as bath room, indoor pools, or seaside.
3. Install the speaker with its air hole down. The air hole are provided at the bottom surface.
4. For outdoor permanent installation, the installation angle of the speaker as shown at the right must be between 0° horizontal and 50° downward.
5. When permanently installing the speaker outdoors, inspect it periodically.

UNIT:mm

SCALE:1/15

