

The SC-610 is a compact, highly intelligible speaker suited to public address announcement applications. Its external speaker component finished with powder coating, and stainless steel bracket and screws ensure the unit's weatherproof capability.

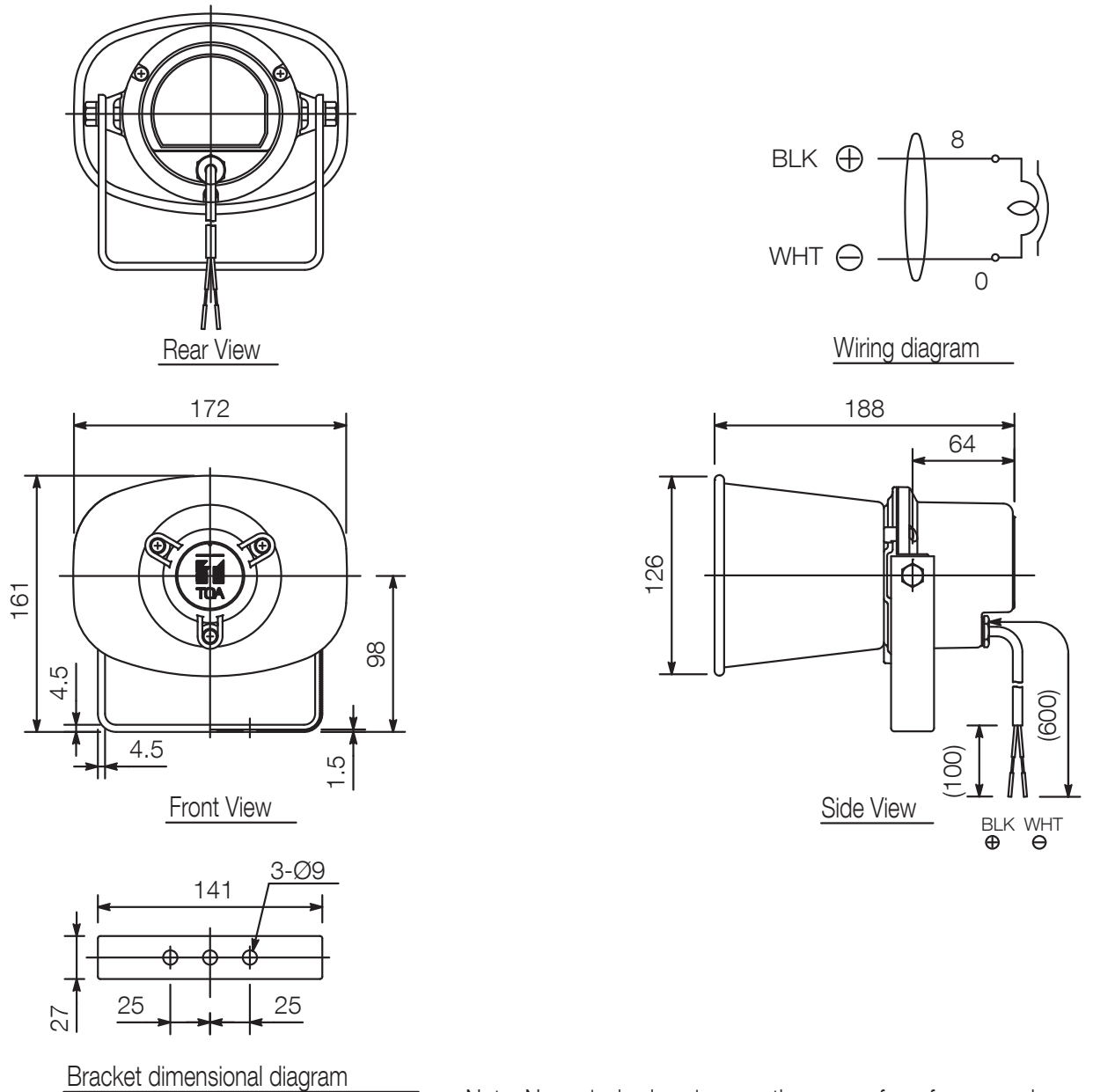


Order no: SC-610 EU

Specifications

Frequency response	315 Hz - 12.5 kHz
Connection	Cable with 2 wires
Sensitivity (1#V, 1#m) (combined)	110 dB
Rated input	10 W
Rated impedance	8 Ω
Weight	1,0 kg
Certificates	IP65
Dimensions (W x H x D)	172 x 161 x 188 mm
Dimensions (ø x D)	x 188 mm
Gross weight	1,3 kg
Finish	Aluminium, powder coating, off-white (RAL 9010 or equivalent)
Operating temperature	-20 °C to +55 °C (must be free from dew condensation)

Appearance



UNIT:mm

SCALE:1/5

Note: Numerical values in parentheses are for reference only.