

The PE-304 is a pendant speaker designed for ceiling suspension installations. Considered in architectural design, it can blend in with lighting equipment. A directly-attached 5 m (16.4 ft) cable allows the speaker to be suspended from the high ceiling. The PE-304 is driven on both high-impedance (100 V and 70 V) and low-impedance (8 Ohm#) lines. The input power (impedance) can be easily changed at the upper side of the speaker. The speaker is easy to repaint so as to meet a wide range of design needs.

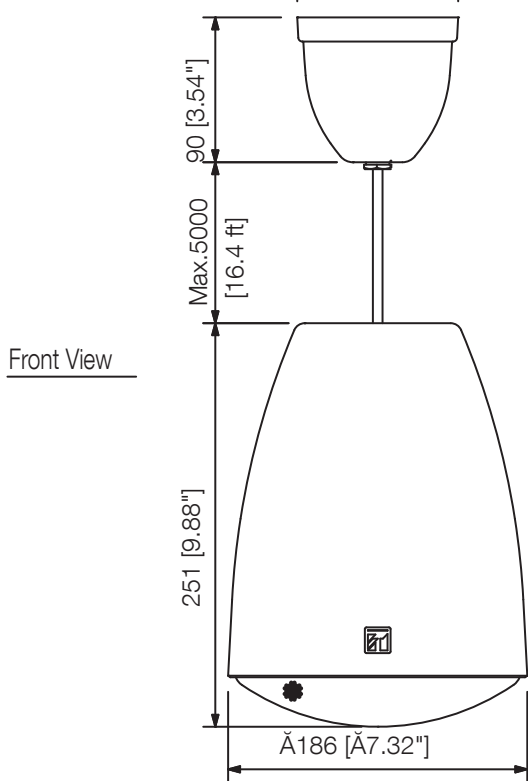
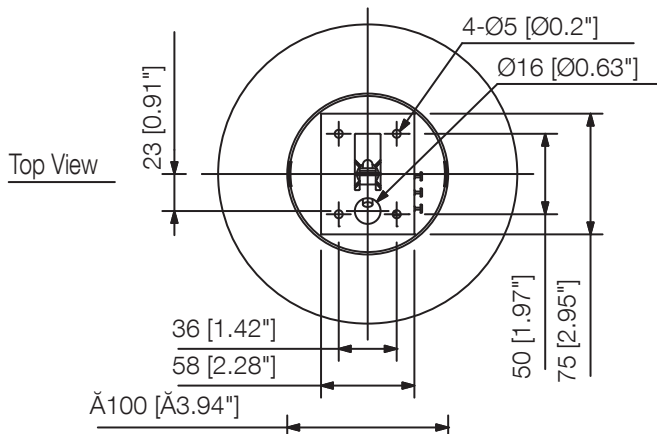


Order no: PE-304

Specifications

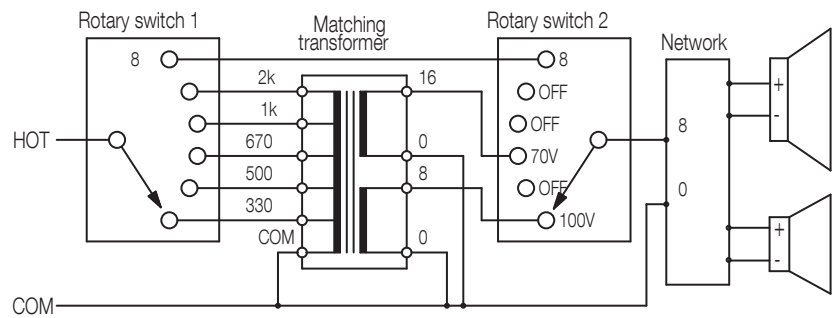
Frequency response	70 Hz - 20 kHz
Connection	Push-in connector (bridging terminal - 2 branch type)
Sensitivity (1#V, 1#m) (combined)	91 dB (500 Hz – 5 kHz, pink noise)
Speaker component	12 cm cone-type + balanced-dome tweeter
Rated input	30 W
Tappings	100V line: 330Ω (30W), 1kΩ (10W), 3.3kΩ (3W), 10kΩ (1.3W)70V line: 170Ω (30W), 330Ω (15W), 1kΩ (5W), 3.3kΩ (1.5W), 10kΩ (0.6W)25V line: 170Ω (3.7W), 330Ω (1.9W), 1kΩ (0.6W), 3.3kΩ (0.2W), 10kΩ (0.1W)Low impedance: 8Ω
Weight	2,1 kg
Certificates	Ease
Dimensions (W x H x D)	x 251
Dimensions (ø x D)	186
Gross weight	3,2 kg
Finish	HIPS resin, off-white (RAL 9010 or equivalent)

Appearance



UNIT:mm

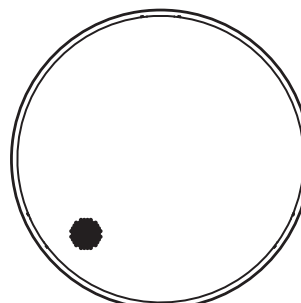
SCALE:1/5



(Factory-preset wiring)

Note: Never connect the 8 terminal to the 100 V or 70 V line.

Wiring Diagram



Bottom View