

## D6276

### Full Digital Conference Discussion Voting Delegate Unit Microphone with Circular screen



#### Description

D62 series smart digital conference system provides functions such as discussion speech, votes, conference check-in, simultaneous interpretation, infrared voice distribution, teleconference and automatic camera tracking, etc. The system is composed of controllers, conference units, cameras and corresponding application software. The conference system includes conference controllers and extension controllers. The conference units include chairman speech units, conventioner speech units, vote units, interpretation units and infrared voice receiving units, etc. Application software includes computer remote control software, Android tablet PC control software and other application software.

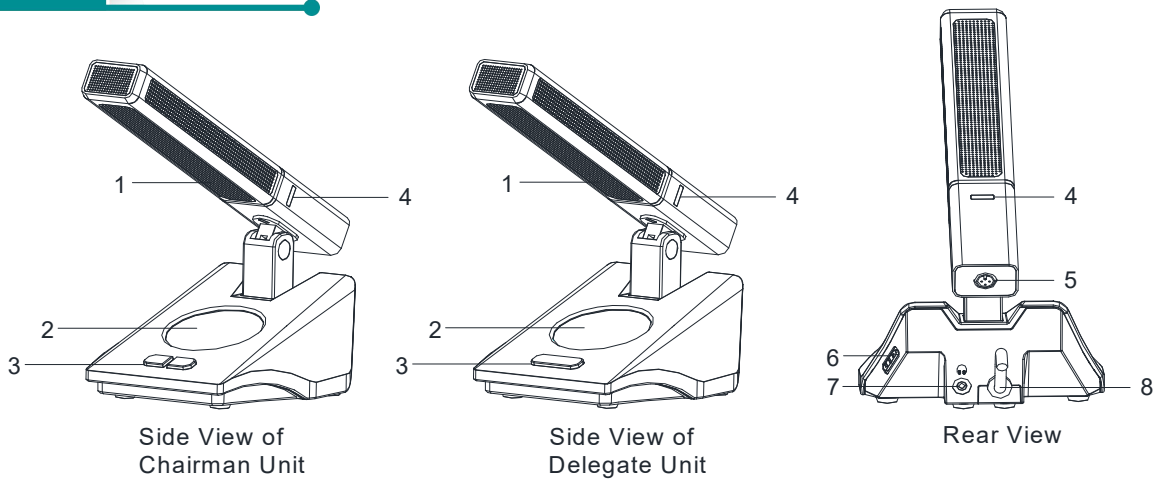
#### Features

- A speech conference unit integrating speech, sign-in, voting and microphone analog output backup functions.
- With microphone output dual backup function, 1 hand-in-hand conference system channel, 1 phantom 48V power supply microphone channel, and 2 independent link channels to ensure high reliability of system operation.
- With 2m dedicated 8-pin DIN high-density cable, and an aviation male connector.
- Adopt integrated square microphone rod (240mm in length, non-removable), electret cardioid directional condenser pickup microphone, with two-color indicator ring (red/green), red for speaking, green for applying for speaking.
- Adopt 2.1" circular LCD display touch screen to display the working status of the unit in real time. The voting, rating, dynamic clock, language switching between Chinese and English, and theme switching can be completed through the display screen.

- With 3.5mm stereo headphone jack for headphone connection to monitor the speech of other units.
- Can adjust the microphone volume and headphone monitoring volume independently. Long press the V+ button to enter the microphone volume adjustment, and long press the V- button to enter the headphone monitoring volume adjustment.
- With microphone on/off button, with a chairman priority button for the chairman unit. Can speak, sign in and number through the microphone on/off button.
- With a unique ID for each conference unit. Long press the microphone on/off button to delete the ID number and reset to the first set of theme UI.
- Come with 3 sets of theme UI, which can be switched freely through the theme interface.
- Display the ID number of the conference unit, the number of mics applying for speaking, the voting results, the number of attendees who have signed in and various operation information on the LCD screen.
- Display the unit information in Simplified Chinese and English.
- Used with a camera to realize automatic camera tracking after setting by the digital conference system host or PC control software.
- Used with the control host, the unit has a self-test function. The items to be tested include: buttons, MIC, LED indicator, and LCD screen.
- The unit is a passive device, connected to the host with an 8-pin DIN high-density cable, powered by the system host, with the input voltage of 24V.
- Through the host settings, the chairman unit has the priority function (can mute or turn off all delegate units), and the podium mode (the chairman unit is always on).
- The chairman unit has the function of approving the application for speaking from the delegate unit.
- The chairman unit has the function of initiating voting.
- The chairman unit can be turned on freely without being restricted by the number of speaking mics.
- The chairman unit has the priority function of fully controlling the conference order.
- The connection position of the chairman unit is not restricted.
- Support “hand-in-hand”, “T-type” and “+ -type” connection modes.

## Specifications

Model	D6276
Structure Type	Desktop
Static power consumption	<1W
Max. power consumption	2W
SNR	>80dB (A-weighted)
Crosstalk Attenuation	>80dB
Harmonic distortion	<0.3%
Headphone Output	9dBu, 8-32Ω, 3.5mm
Working Power	Power by the host with DC24V
Unit Interface	8-pin DIN dedicated interface
Microphone Type	Electret cardioid condenser
Sensitivity	-45dBV/pa
Input impedance	2kΩ
Equivalent Noise	20dB (SPL)
Max SPL	125dB (THD<3%)



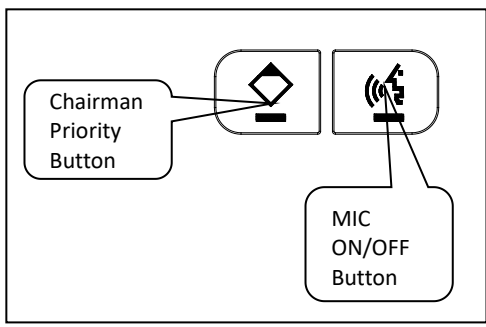
**1. Microphone Rod**

**2. 2.1" Circular LCD Touch Screen**

- Display the ID number of the unit, the working status, the voting results and operation information.

**3. MIC ON/OFF Button & Indicator**

- The MIC ON/OFF button / APPLY button and indicator of the delegate unit. The indicator is on when the button is pressed to turn on the microphone; the indicator flashes when the button is pressed to apply for speaking and during unit renumbering and camera tracking.
- The MIC ON/OFF button and the chairman priority button and indicators of the chairman unit.



- The indicator is on when the MIC ON/OFF button is pressed to turn on the microphone, while the indicator flashes during unit renumbering and camera tracking.
- Press the chairman priority button to mute or turn off the unit that is speaking.

**4. MIC Indicator**

- With red and green working status. For details, please refer to “3.13 Operations” below.

**5. MIC Analog Output XLR Port**

- The interface is a 3-pin XLR male socket, which is connected to the MIC input port with 48V phantom power supply of the mixing console.
- After it is connected to and powered by the mixing console, the mic indicator lights up red, and you can speak directly.

**6. Volume Adjustment Buttons**

- Used to adjust the headphone monitoring and microphone volume. Long press the V+ button to enter the microphone volume adjustment, and long press the V- button to enter the headphone monitoring volume adjustment.

**7. Headphone Jack**

- Connect with a 3.5mm plug.

**8. 8-pin DIN Dedicated Interface**

- With 2m dedicated 8-pin DIN high-density cable, and an aviation male connector.