

DSP6060

60W Outdoor Waterproof Wall-Mounted Speaker



Description

The DSP6060 60W wall-mounted waterproof speaker blends refined design with powerful acoustics. Featuring 8"×1 woofer and 1"×1 tweeter, it delivers bright, transparent highs and deep, resonant bass across 55Hz-20kHz. With 88dB sensitivity and 106dB max SPL, it ensures clear and dynamic coverage, while its IP66 all-weather construction guarantees reliable performance in outdoor plazas, leisure spaces, and modern architectural venues.

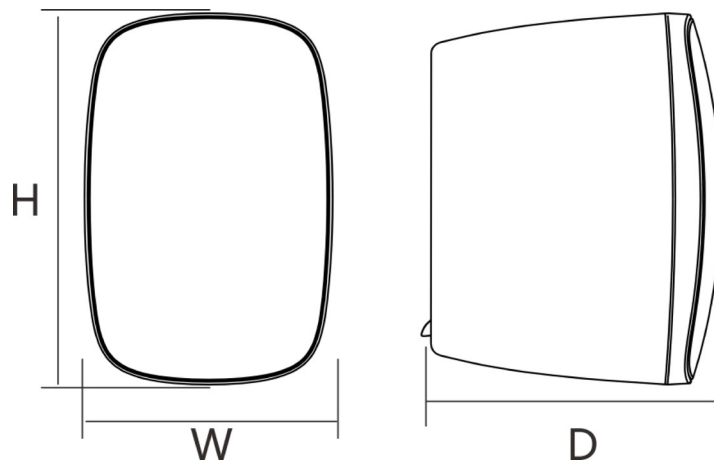
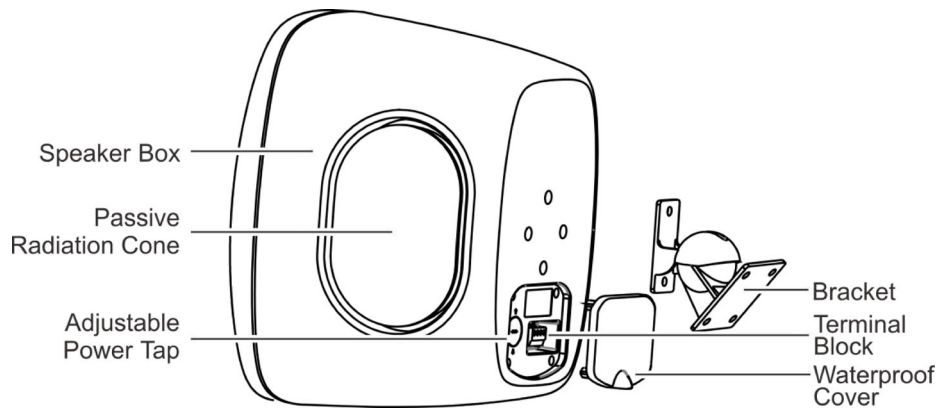
Features

- Specialized in sound quality, featuring a passive radiator and equipped with both tweeter and woofer units to deliver clear, transparent, and bright sound with rich, powerful bass.
- Streamlined design, smooth and elegant curves, stylish and classy outlook.
- Available in black and white, suitable for the decorative styles of different venues.
- Mesh: Made of 1060 pure aluminum, which is hardened and anti-oxidation treated, not easy to deform and never rust.
- Speaker box: Made of polymer engineering plastics, durable, safe and reliable.
- Speaker unit: The tweeter diaphragm is made of natural silk membrane; the woofer diaphragm is made of polypropylene with large magnetic circuit.
- Mounting bracket: Cast aluminum molding, no oxidation and rust, safe and durable, multi-angle adjustment, easy to install and use.
- Waterproof level: IP66 waterproof level, all-weather design, to ensure the reliable use in indoor and outdoor environments.

Specifications

| Model | DSP6060 |
|-------------------------|--------------------------|
| Speaker Unit | 8"×1, 1"×1 |
| Operating Voltage | 100V |
| Rated Power | 60W |
| Power Adjustment | 8Ω-60W-30W-15W-7.5W-3.8W |
| Frequency Response | 55Hz-20kHz |
| Sensitivity (1m, 1W) | 88dB±2dB |
| MAX. SPL. (1m) | 106dB±2dB |
| Operating Temperature | -20°C~+50°C |
| Dimensions (H×W×D) | 379×253×262mm |
| Net Weight (1PC) | 6.5kg |
| Gross Weight (2PCS/CTN) | 18.1kg |

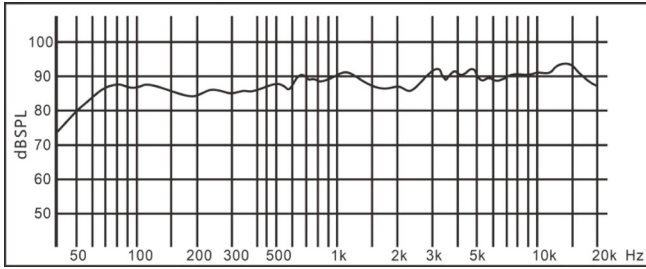
Product Information



| H | W | D |
|-----|-----|-----|
| 379 | 253 | 262 |

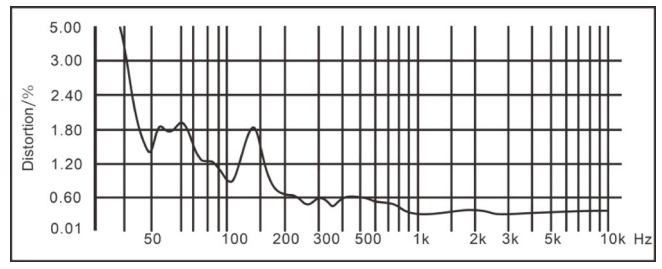
Frequency Response

(dB SPL, 1W, 1m)

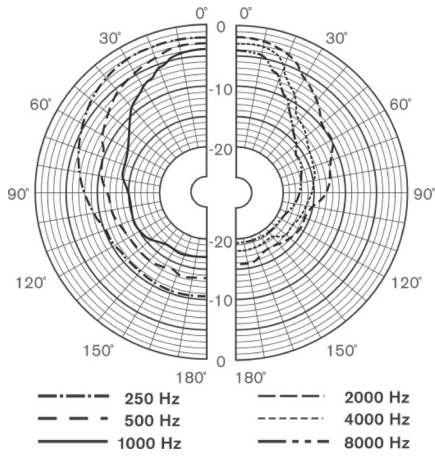


Distortion

(THD<3% 1W, 1m, 100Hz-10kHz)



Vertical Directivity Pattern



Horizontal Directivity Pattern

