

D6851 D6852 D6853 D6854

2.4G Wireless Digital Conference Units



D6851

Desktop Speaking Chairman Unit
(Square Microphone)



D6852

Desktop Speaking Delegate Unit
(Square Microphone)



D6853

Desktop Speaking Chairman Unit
(Gooseneck Microphone)



D6854

Desktop Speaking Delegate Unit
(Gooseneck Microphone)

Description

D6851, D6852, D6853, D6854 2.4G Wireless Digital Conference Units are designed for efficient and secure communication, each equipped with a unique ID for easy identification. These units feature a microphone on/off button and the chairman unit is uniquely fitted with a chairman priority function. They all include a 2.8-inch TFT color screen displaying unit ID, signal strength, and battery level. With advanced encryption, these units ensure confidential discussions and support camera tracking when paired with a D6850 wireless conference host system and camera. The TYPE-C charging interface allows for convenient charging to support continuous operation.

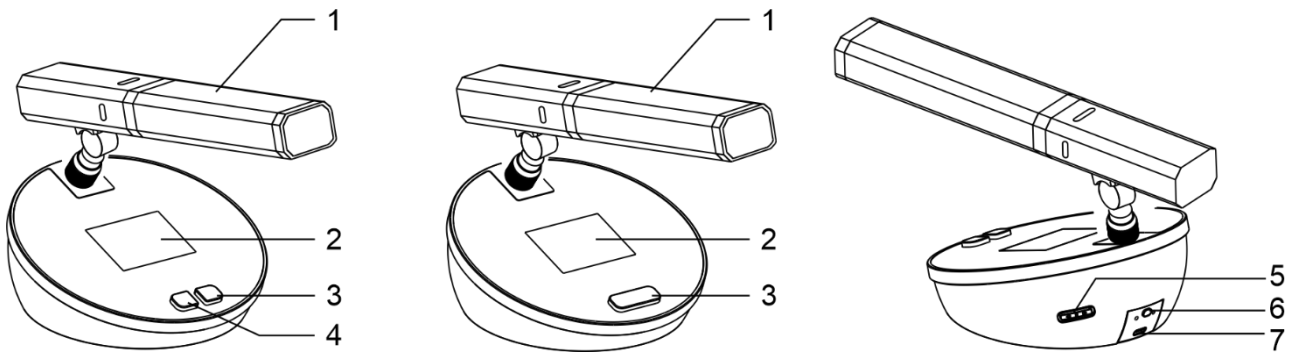
Features

- Conference unit with pure speech function.
- Each conference unit has a unique ID number.
- Equipped with a microphone on/off button, the chairman unit has a chairman priority button.
- 2.8-inch TFT color screen displaying unit ID, signal strength, battery level, time-limited speech, etc.
- Electret cardioid condenser microphone, available in two models: Square Mic Rod and Gooseneck Microphone.
- The microphone rod can be detached during recess periods, facilitating equipment maintenance and storage.
- Adjustable microphone volume.
- Strong anti-interference ability against mobile phone signals.
- Simplified Chinese and English bilingual display for unit information
- Full digital audio processing technology with an audio sampling rate of 48kHz.
- Encryption protection prevents eavesdropping and unauthorized access, ensuring the confidentiality of meetings.
- Supports automatic camera tracking when used with host settings and paired with a camera
- TYPE-C Charging Interface;

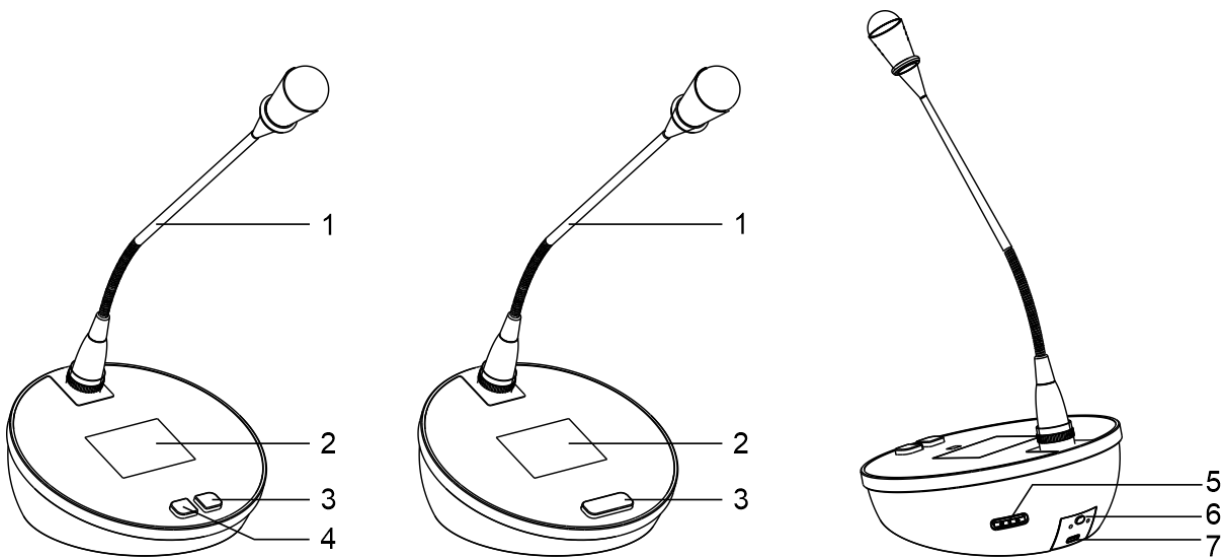
Specifications

Model	D6851	D6852	D6853	D6854
Input Sensitivity			-45dBV/pa	
Effective Frequency Range of Gain Limit (± 3 dB)			80Hz-16kHz	
Static Power Consumption			<2W	
Max. Power Consumption			2W	
SNR			>70dB	
Harmonic Distortion			<0.5%	
Rated Power Consumption			≤ 1.5 W	
Power Supply			DC3.3V-4.2V	
Power Capacity			3.7V/5000mA Lithium Battery	
Charging Duration			Fast Charging: ≤ 4.5 hours (9V 2A) Slow Charging: ≤ 6 hours (5V 2A)	
Working Time			12 Hours	
Product Dimension (L×W×H)			142 × 142 × 65 mm (Excluding Microphone Rod)	
Package Size (L×W×H)			535×265×125mm (2 PCS)	
Net Weight			0.65kg	
Gross Weight			2kg (2 PCS)	

Square Microphone Type



Gooseneck Microphone Type



1. Microphone Rod

Equipped with an indicator light that remains lit during speech.

2. 2.8-Inch TFT Display

Displays real-time information, including unit ID, working status, and operational details.

3. Microphone On/Off Button (with Light)

When the microphone on/off button is pressed to activate the microphone, the indicator light turns on. During unit re-numbering and camera tracking positioning, the indicator light flashes.

4. Chairman Priority Button (with Light)

Press the chairman priority button to mute or turn off the unit that is speaking.

5. Volume Control Button

Adjusts microphone volume. Long press to switch the display language of the unit interface.

6. Power On/Off Key;

Long press for 3 seconds to power the unit on or off.

7. TYPE-C Charging Interface.