



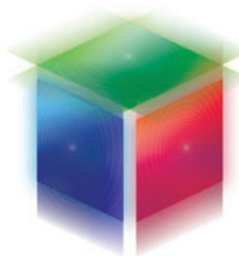
DUAL CHANNEL DIGITAL POWER AMPLIFIER DA-502H



Specifications	
Model	DA-502H
Power Source	220V AC,50Hz
Power Consumption	220W
AC Power Tolerance	AC220V±10%
Total Harmonic Distortion	Below 1%
Frequency Response	80Hz~18kHz ±3dB
S/N Ratio	Above 80dB
Input	Priority Input 1 ×2×2 0dBV* 20kΩ electronically-balanced, removable terminal block BGM Input ×2×2 0dBV* 20kΩ electronically-balanced, removable terminal block Priority Input 2 ×2 0dBV* 20kΩ electronically-balanced, RJ45 Spare amplifier input,removable terminal block
Rated Output	500W×2,100V,20Ω,removable terminal block
Indicators	Input Signal(Green)×2,Power Source(Green)×1 Output Signal(Green)×2 Output Peak(Red)×2 Protect / Fault(Red)×2 Protect /Fault Surveillance Switch(Green)×1 Ventilation Fault(Red)×1
Control	Power Switch,Rear Panel BGM Input Volume Control ×2,Rear Panel Ventilation Control Automatic muting last for 4 seconds and resume normal. Automatic muting level: Above 55dB Protect /Fault Control output×2,Relay output,removable terminal block(2P:+,-) Surveillance Check Dip Switch Fault Check (Test) Dip Switch
Operating Temperature	0 ~ +40°C
Operating Humidity	Below 90%RH (no condensation)
Dimensions	482(w) × 88.4(h) × 374.1(include handle)/405.6(exclude handle)(d)mm
Finish	Panel: Aluminum, black, alumite Case: Plated steel sheet
Accessories	Removable terminal plug(4P)×2,Removable terminal plug(3P)×Removable terminal plug(2P)×2
Cooling	Forced air cooling
Weight	8.3kg

Model	VX-200SPDA
Power Source	Supplied from VX-2000SF
Current Consumption	Under 100 mA
Power Amplifier Link	RJ45 female connector for connecting the DA-502H Power Amplifier. Twisted-pair straight cable (TIA/EIA-568A standard)
Line Monitor	Plug-in screw connector Applicable cable straight diameter: AWG 24 – AWG 16
External Attenuator Control Output	Plug-in screw connector, relay, no-voltage make contact output, transfer type, withstand voltage: 30 V DC, 250 V AC, contact current: Under 7 A (DC), under 7 A (AC) Applicable cable diameter: AWG 24 – AWG 16
Speaker Output	Plug-in screw connector Applicable cable diameter: AWG 24 – AWG 16
Power Detection System	PPlug-in screw connector for connector the DA-502H Power Amplifier. Applicable cable diameter: AWG 24 – AWG 16
Fault Detection System	Short circuit, open circuit (pilot tone detection method)
Finish	Panel: Surface-treated steel plate
Dimensions	30.5 (W) × 132.6 (H) × 290.3 (D) mm
Weight	240 g
Accessory	Plug-in screw terminal 1
Option	Equalizer card: VX-200SE
Applicable Model	VX-2000SF

Top-of-the-line operation and performance efficiency



Human Society with
Sound & Communication

TOA (Hong Kong) Limited

www.toa.com.hk

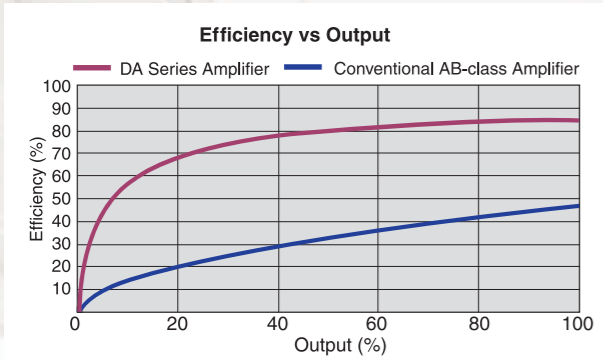
Specifications are subject to change without notice.
Printed in Hong Kong

Efficient, Durable, High-level performance

FEATURES

High efficiency

Extremely high amplification efficiency of 80-90%, resulting in reduction in power consumption by more than 60% compared with Class-AB amplifiers.



Amplifier with world-class lightweight design*

Installation has become much easier thanks to the lightweight design.
*TOA comparative (weight/watt)

Emergency override

DA-502H has both BGM and emergency input terminals to cope with different system requirements. Emergency signal overrides BGM in case of emergency situation. This function allows DA-502H to fit in both general PA and emergency PA system.

Highly durable

Stands up to extended hours of operation. The DA amplifier has undergone a large number of rigorous tests to prove its durability. In addition, TOA has been conducting a "non-stop driving test" of the DA Series.

Highly reliable

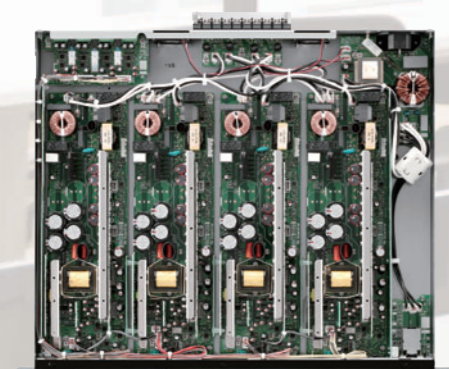
DA-502H has comprehensive protection against excessive current generated from overload, short circuit, unusual DC voltage output, power amplifier heat sink overheat (over 100°C), power supply overheat (over 80°C). It also has automatic tone signal for fault detection (ON/OFF).



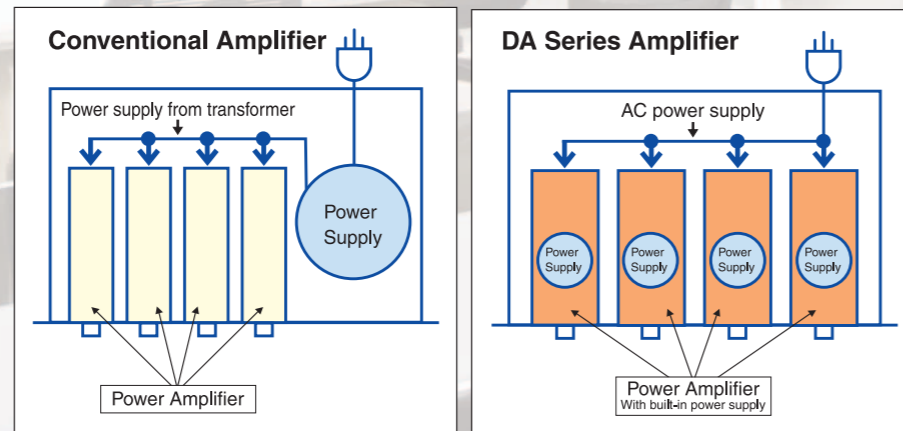
Independent power supply Cost effective

Each channel has its own power supply. Power failure of either channel would not affect the operation of the other channel.

500W per channel provide extensive output for large scale application.



Inside of DA-250F/FH model.

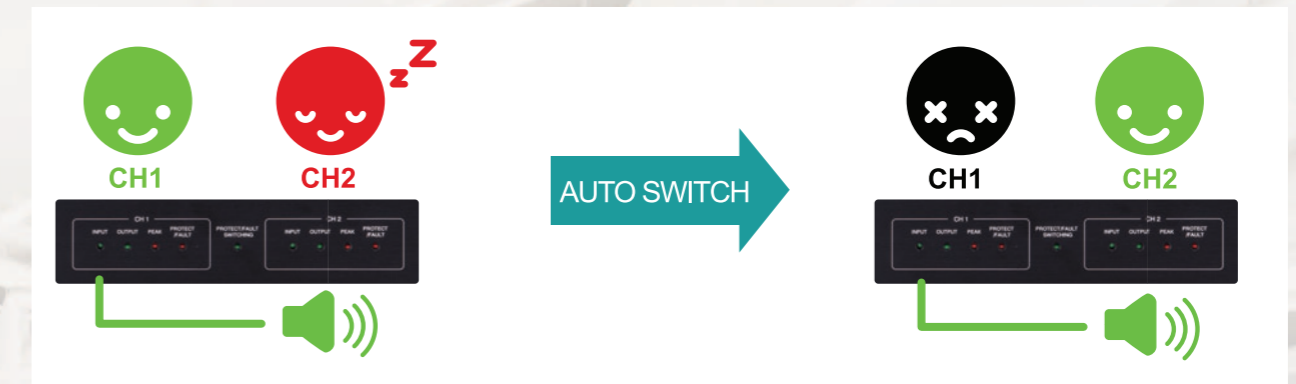


Spare amplifier & Surveillance function

The spare amplifier function of DA-502H comes in different modes.

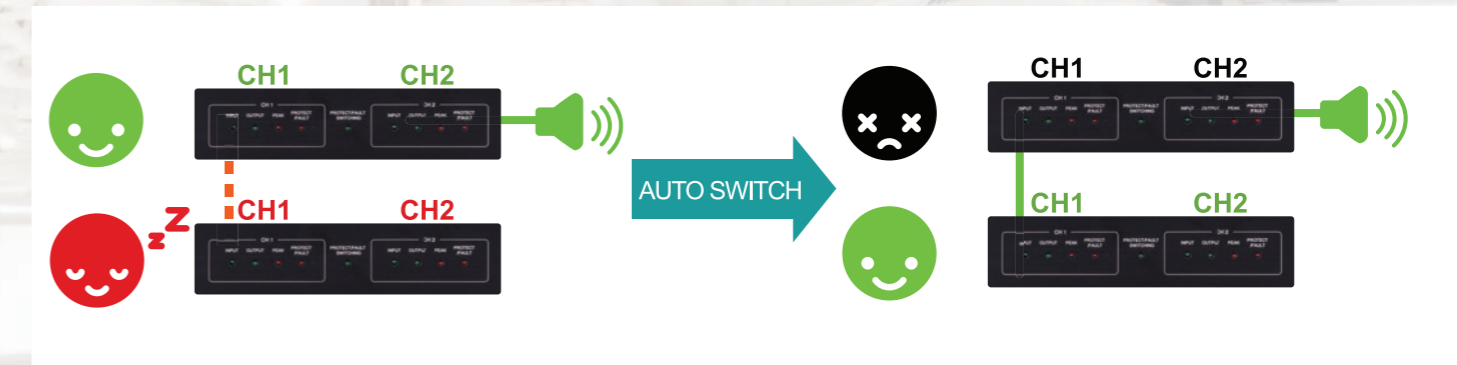
Internal spare amplifier function

CH2 is switched on automatically when CH1 fails.



External spare amplifier function

Amplifier 2 is switched on automatically when Amplifier 1 fails.



Incorporate with VX-2000 Series

DA-502H can be used together with VX-2000 by using the VX-200SPDA module. DA-502H is able to detect speaker line open and short circuit fault.

