

acm 08H120

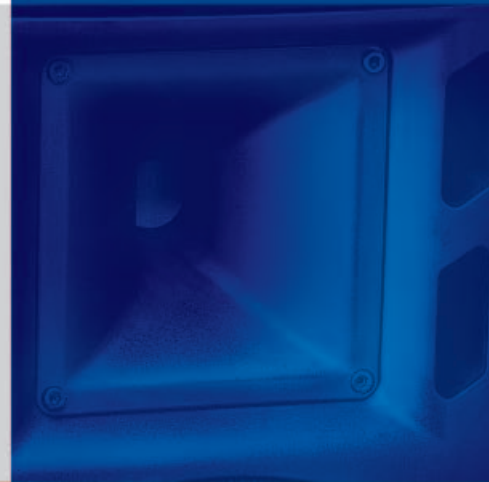
General Description and Applications:

The  acmaudio 08H120 features a molded polypropylene enclosure that is inherently weather resistant.

ACM audio used advanced program techniques to create the most successful and influential professional speaker system. High power, efficiency, lower distortion and great low frequency extension provide an unbelievable performance.



08H120 can be used for live sound reinforcement, vocals, speech and music playback in entertainment, schools, pub, coffee shop and outdoor venues. Portability is one of the important factors for choice especially.



For permanent suspension or attaching brackets, the 08H120 also has two M6 inserts on the top and bottom, two on the side, for a total of 5.





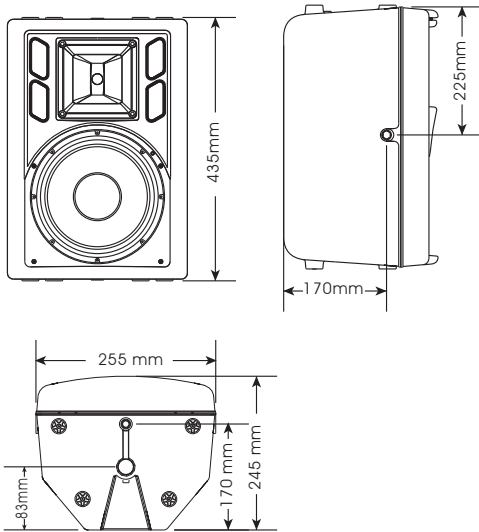
acmaudio

08H120

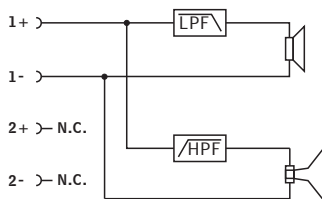
Portable Speaker System



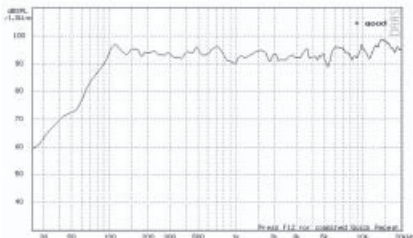
Dimension Drawings



Block Diagram



Frequency Response



Key Features:

High Impact Molded Polypropylene Enclosure

08L120-82 8 LF Transducer

1.5" Voice Coil, 1" Exit Aluminium Compression Driver

90° x 60° Coverage Pattern

Smooth Response With High Power Handling Capacity (Continuous Program/RMS), 480W/120W

5 Integral Suspension Points

Complete Mounting Solutions

Technical Specification:

Freq. Range(-10dB): 60Hz~20kHz

Freq. Response(-3dB): 75Hz~20kHz

Rec. Hipass Frequency: 50Hz

Axial Sensitivity: 94dB(1W/1m)

Max Calculated SPL: 120dB

Horizontal Coverage: 90°

Vertical Coverage: 60°

Rated System Power: 120W Continuous 480W Peak

LF Transducer: 08L120-82

HF Transducer: 25H34-82

Crossover Frequency: 2kHz

Nominal Impedance: 8 Ohms

Connector: 2 x NL4 Speakon

Dim (HxWxD): 435mm x 255mm x 245mm

Net Weight: 8Kg

Shipping Weight: 9Kg